

# Stainless steel ball valves, reduced bore

female threads/welding, EN (DIN), DN 10-50

## Properties

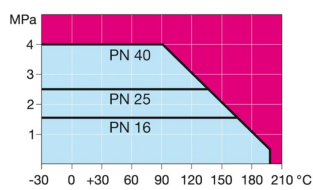
|             |  |
|-------------|--|
| Body:       | Stainless steel, EN 10217-7 X2CrNiMo17-12-2 (1.4404) |
| Ball:       | Stainless steel, EN X2CrNiMo17-12-2 (1.4404)         |
| Stem:       | Stainless steel, EN X2CrNiMo17-12-2 (1.4404)         |
| Stem seals: | FPM/NBR  |
| Ball seals: | Carbonized PTFE                                      |
| Thread      | ISO 7/1 Rp   |
| Operation:  | Stainless steel handle                               |



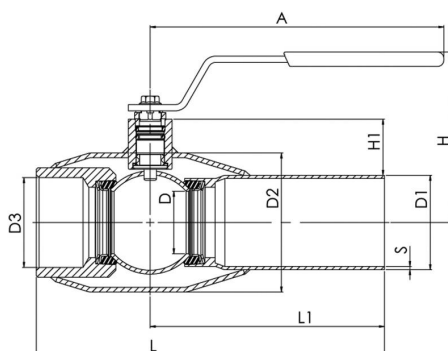
## Operating conditions

-30°C - +200°C

Below 0 °C contact manufacturer



Not for steam



| DN | PN | Product no. | D  | D1   | D2   | D3      | S | H   | H1 | A   | L   | L1  | Kv  | Kg  |
|----|----|-------------|----|------|------|---------|---|-----|----|-----|-----|-----|-----|-----|
| 10 | 40 | 231 010     | 10 | 17,2 | 33,7 | R 3/8   | 2 | 100 | 22 | 140 | 153 | 115 | 8   | 0,5 |
| 15 | 40 | 231 015     | 10 | 21,3 | 33,7 | R 1/2   | 2 | 100 | 22 | 140 | 153 | 115 | 8   | 0,5 |
| 20 | 40 | 231 020     | 15 | 26,9 | 42,4 | R 3/4   | 2 | 100 | 23 | 140 | 153 | 115 | 14  | 0,6 |
| 25 | 40 | 231 025     | 20 | 33,7 | 48,3 | R 1     | 2 | 90  | 29 | 150 | 160 | 115 | 25  | 0,8 |
| 32 | 40 | 231 032     | 25 | 42,4 | 60,3 | R 1 1/4 | 2 | 95  | 28 | 150 | 183 | 130 | 41  | 1,2 |
| 40 | 40 | 231 040     | 32 | 48,3 | 76,1 | R 1 1/2 | 2 | 100 | 35 | 190 | 190 | 130 | 65  | 1,7 |
| 50 | 40 | 231 050     | 40 | 60,3 | 88,9 | R 2     | 2 | 110 | 36 | 190 | 223 | 150 | 103 | 2,4 |