

Butterfly valves, full bore

flange/flange, DN 300-800 $\Delta p = 25$ bar control

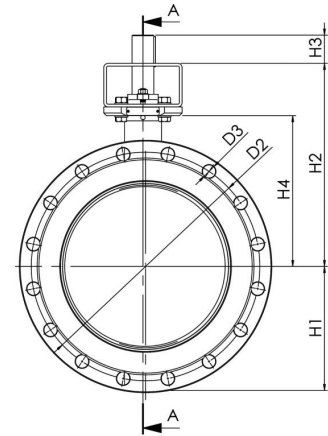
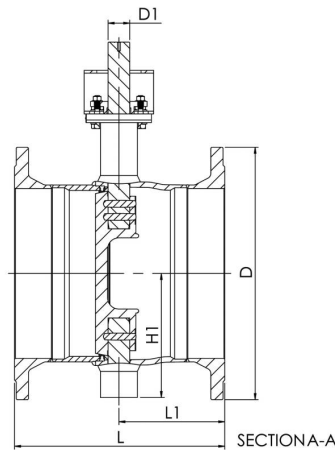
Properties

Body:	DN 300 - 500 Steel, EN 10217-2 P235GH (1.0345) DN 600 - 800 Steel, EN 10028-3 P355NL1 (1.0566)
Disc:	EN GX5CrNiMo19-11-2 (1.4408)
Seat:	Alloy 825
Shaft:	EN X3CrNiMoN27-5-2 (1.4460)
Shaft seal:	Graphite
Bearings:	PTFE+AISI 316 net
Flanges:	EN 1092-1 Available PN 16 and 25
Operation:	Valves are available with manual gear, electric actuator or hydraulic actuator.



Operating conditions

Body:	PN 25
Trim:	PN 25
Temperature:	-20 °C - +250 °C
Leakage rate:	B (by request rate A)



Product no.	DN	L	L1	H1	H2	H3	H4	D	D1	D2	D3	Holes	Kv	Kg
BFC300F2	300	458	204	247	435	65	315	485	35	430	30	16	6200	123
BFC350F2	350	494	236	255	445	65	325	555	35	490	33	16	7400	166
BFC400F2	400	534	269	285	467	65	347	620	40	550	36	16	9800	219
BFC500F2	500	604	280	360	528	80	408	730	50	660	36	20	15600	355
BFC600F2	600	644	311	440	575	110	450	845	60	770	39	20	22700	510
BFC700F2	700	692	334	495	625	110	501	960	70	875	42	24	31300	720
BFC800F2	800	750	375	581	733	130	573	1085	90	990	48	24	40700	1050

Dimensions for PN25 flanges