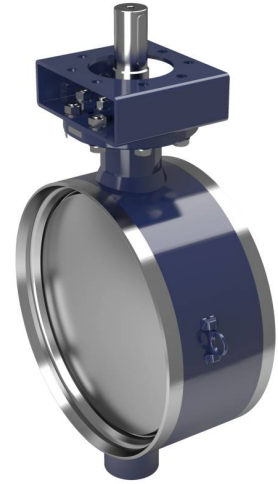


# Butterfly valves, reduced bore

welding/welding, EN (DIN), DN 900-1200  $\Delta p = 16$  bar control

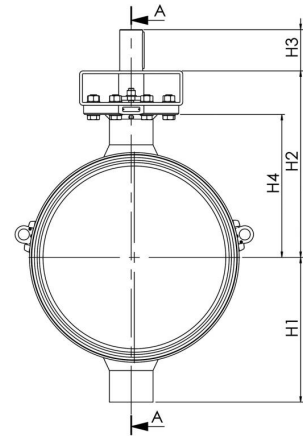
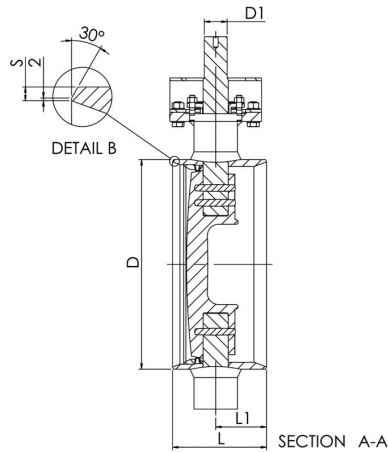
## Properties

Body:	Steel, EN 10028-3 P355NL1 (1.0566)
Disc:	EN GX5CrNiMo19-11-2 (1.4408)
Seat:	Alloy 825
Shaft:	EN X3CrNiMoN27-5-2 (1.4460)
Shaft seal:	Graphite
Bearings:	PTFE+AISI 316 net
Trim:	PN 16 or PN 25 (DN 1200 PN 20)
Welding ends	ISO 6761
Operation:	Valves are available with manual gear, electric actuator or hydraulic actuator.



## Operating conditions

Body:	PN 25
Trim:	PN 16
Temperature:	-40 °C - +250 °C DN 1200 -20° - +200° Below 0 °C contact manufacturer
Leakage rate:	A



Type	DN	L	L1	H1	H2	H3	H4	D	D1	S	Kv	Kg
BRC900W1	900	410	221	631	813	180	623	914	100	10	46100	870
BRC1000W1	1000	440	224	678	879	180	689	1016	120	10	56900	1120
BRC1200W1	1200	500	228	730	1040	180	848	1219	120	13	65000	1620