

Steel ball valves, reduced bore

flange/flange, DN 300-600

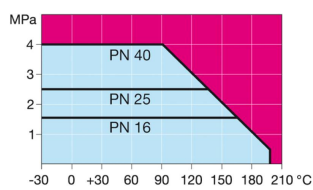
Properties

Body:	Up to DN 500 Steel, EN 10217-2 P235GH (1.0345) DN 600 Steel, P355 NL1 (1.0566)/GP240GH 1.0619
Ball:	Stainless steel, EN X5CrNi18-10 (1.4301)
Stem:	Stainless steel, EN X8CrNiS18-9 (1.4305)
Stem seals:	FPM
Ball seals:	Carbonized PTFE
Flanges	EN 1092-1 Available PN 10, 16, 25, 40
Length	DIN 3202
Operation:	DN 300 - 600 without handle We recommend manual gear operation for sizes DN200 and larger

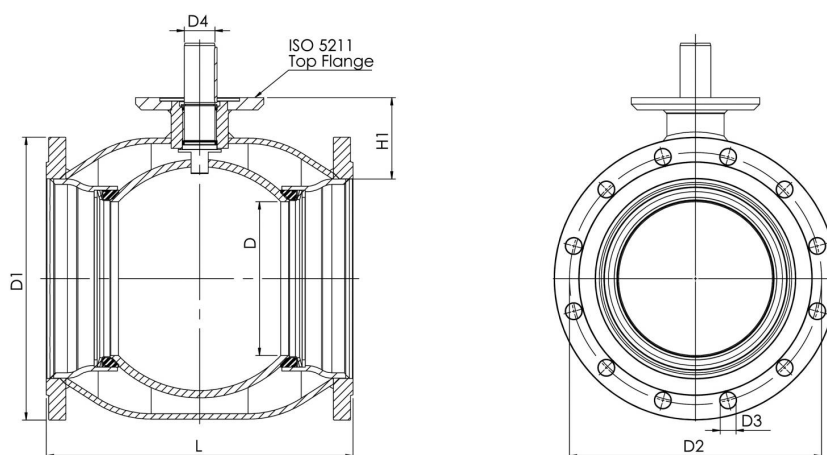


Operating conditions

-30°C - +200°C
Below 0 °C contact manufacturer



Not for steam



DN	PN body	PN flanges	Product no.	D	D1	D2	D3	D4	H1	L	Holes	ISO 5211	Kv	Kg
300	25	16	103 300	250	460	410	26	50	133	500	12	F16	4600	148
350	25	16	103 350	290	520	470	26	50	192	706	16	F16	9600	226
400	25	16	103 400	340	580	525	30	70	242	810	16	F25	13300	322
500	25	16	103 500	390	715	650	33	90	259	978	20	F30	18700	528
600	25	16	103 600	489	840	770	36	90	274	1130	20	F30	32000	1144