

# Stainless steel ball valves, reduced bore

flange/flange, DN 15-250

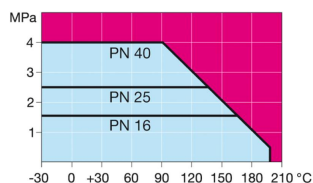
## Properties

Body:	Stainless steel, EN 10217-7 X2CrNiMo17-12-2 (1.4404)
Ball:	Stainless steel, EN X2CrNiMo17-12-2 (1.4404)
Stem:	Stainless steel, EN X2CrNiMo17-12-2 (1.4404)
Stem seals:	FPM/NBR
Ball seals:	Carbonized PTFE
Flanges	EN 1092-1 Available PN 10, 16, 25, 40
Length	DIN 3202
Operation:	DN 10-100 with stainless steel handle DN 125-250 with galvanized steel handle We recommend manual gear operation for sizes DN200 and larger



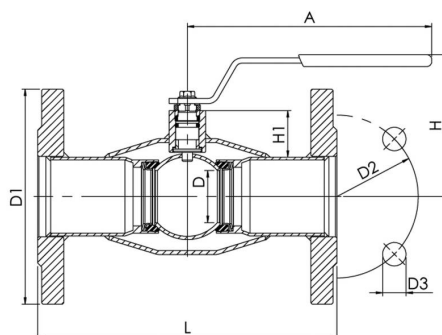
## Operating conditions

-30°C - +200°C  
Below 0 °C contact manufacturer

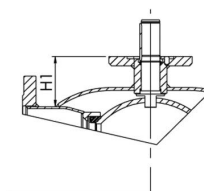


Not for steam

DN 15 - 150



DN 200 - 250



DN	PN body	PN flanges	Product no.	D	D1	D2	D3	H	H1	A	L	Holes	Kv	Kg
15	40	40	233 015	10	95	65	14	100	22	140	130	4	8	1,6
20	40	40	233 020	15	105	75	14	100	23	140	150	4	14	2,3
25	40	40	233 025	20	115	85	14	90	29	150	160	4	25	2,8
32	40	40	233 032	25	140	100	18	95	28	150	180	4	41	4,4
40	40	40	233 040	32	150	110	18	100	35	190	200	4	65	5,2
50	40	40	233 050	40	165	125	18	110	36	190	230	4	103	6,9
65	25	16	233 065	50	185	145	18	160	51	280	270	8	180	9,5
80	25	16	233 080	65	200	160	18	170	57	280	280	8	290	11
100	25	16	233 100	80	220	180	18	185	55	280	300	8	470	15
125	25	16	233 125	100	250	210	18	205	56	420	325	8	830	21
150	25	16	233 150	125	285	240	22	240	62	600	350	8	1150	29
200	25	16	233 200	150	340	295	22	280	92	870	400	12	1750	50
250	25	16	233 250	200	405	355	26	340	108	1200	550	12	3200	90