

# Stainless steel ball valves, reduced bore

female threads/female threads, DN 10-50

## Properties

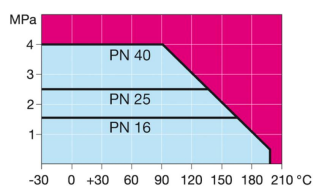
Body:	Stainless steel, EN 10217-7 X2CrNiMo17-12-2 (1.4404)
Ball:	Stainless steel, EN X2CrNiMo17-12-2 (1.4404)
Stem:	Stainless steel, EN X2CrNiMo17-12-2 (1.4404)
Stem seals:	FPM/NBR
Ball seals:	Carbonized PTFE
Thread	ISO 7/1 Rp
Operation:	Stainless steel handle



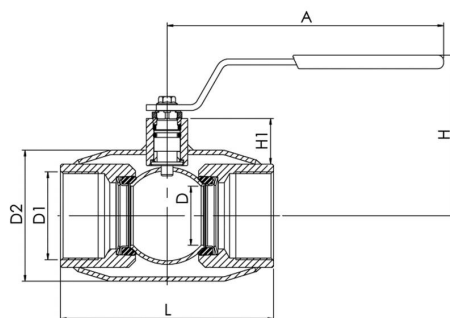
## Operating conditions

-30°C - +200°C

Below 0 °C contact manufacturer



Not for steam



DN	PN	Product no.	D	D1	D2	H	H1	A	L	Kv	Kg
10	40	232 010	10	R 3/8	33,7	100	22	140	75	8	0,4
15	40	232 015	10	R 1/2	33,7	100	20	140	75	8	0,4
20	40	232 020	15	R 3/4	42,4	100	21	140	80	14	0,5
25	40	232 025	20	R 1	48,3	90	26	150	90	25	0,8
32	40	232 032	25	R 1 1/4	60,3	95	24	150	105	41	1,2
40	40	232 040	32	R 1 1/2	76,1	100	32	190	120	65	1,7
50	40	232 050	40	R 2	88,9	110	31	190	145	103	2,5