

Steel ball valves, full bore

flange/flange, DN 15-400

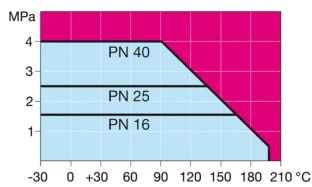
Properties

Body:	Up to DN 400 Steel, EN 10217-2 P235GH (1.0345) DN 500 Steel, P355 NL1 (1.0566)/GP240GH 1.0619
Ball:	Stainless steel, EN X5CrNi18-10 (1.4301)
Stem:	Stainless steel, EN X8CrNiS18-9 (1.4305)
Stem seals:	FPM
Ball seals:	Carbonized PTFE
Flanges	EN 1092-1 Available PN 10, 16, 25, 40
Operation:	DN 10 - 200 with galvanized steel handle DN 250 and larger without handle We recommend manual gear operation for sizes DN200 and larger



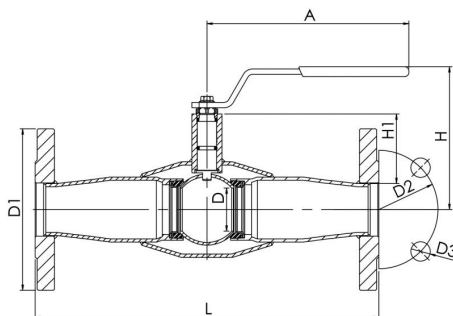
Operating conditions

-30°C - +200°C
Below 0 °C contact manufacturer

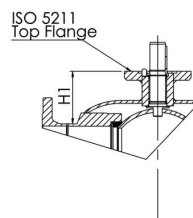


Not for steam

DN 15 - 125



DN 150 - 400



DN	PN body	PN flanges	Product no.	D	D1	D2	D3	H	H1	A	L	Holes	Kv	Kg
15	40	40	153 015	15	95	65	14	105	26	140	245	4	14	2,4
20	40	40	153 020	20	105	75	14	105	43	150	245	4	25	2,9
25	40	40	153 025	25	115	85	14	105	43	150	275	4	41	3,6
32	40	40	153 032	32	140	100	18	125	61	190	275	4	65	5,4
40	40	40	153 040	40	150	110	18	135	65	190	320	4	103	7
50	25	16	153 050	50	165	125	18	180	79	280	320	4	180	9,7
65	25	16	153 065	65	185	145	18	190	83	280	325	8	290	11,5
80	25	16	153 080	80	200	160	18	230	110	280	350	8	470	16
100	25	16	153 100	100	220	180	18	245	109	420	350	8	830	24
125	25	16	153 125	125	250	210	18	280	117	600	375	8	1150	33
150	25	16	153 150	150	285	240	22	280	118	870	515	8	1750	65
200	25	16	153 200	200	340	295	22	350	135	1200	560	12	3200	120
250	25	16	153 250	250	405	355	26	-	158	-	595	12	4600	160
300	25	16	153 300	290	460	410	26	-	208	-	716	12	9600	220
350	25	16	153 350	340	520	470	26	-	267	-	802	16	13300	350
400	25	16	153 400	390	580	525	30	-	309	-	1140	16	18700	610