

Steel ball valves, reduced bore

flange/flange, DN 300-600 PN 25

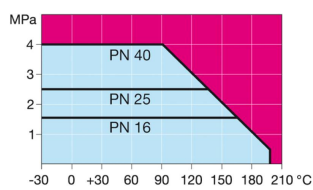
Properties

Body:	Up to DN 500 Steel, EN 10217-2 P235GH (1.0345) DN 600 Steel, P355 NL1 (1.0566)/GP240GH 1.0619
Ball:	Stainless steel, EN X5CrNi18-10 (1.4301)
Stem:	Stainless steel, EN X8CrNiS18-9 (1.4305)
Stem seals:	FPM
Ball seals:	Carbonized PTFE
Flanges	EN 1092-1 Available PN 10, 16, 25, 40
Length	DIN 3202
Operation:	DN 300 - 600 without handle We recommend manual gear operation for sizes DN200 and larger

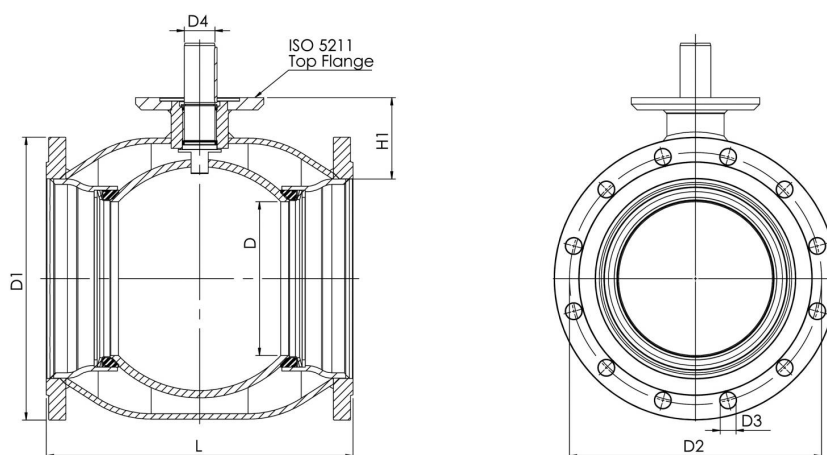


Operating conditions

-30°C - +200°C
Below 0 °C contact manufacturer



Not for steam



DN	PN body	PN flanges	Product no.	D	D1	D2	D3	D4	H1	L	Holes	ISO 5211	Kv	Kg
300	25	25	103 300/25	250	485	430	30	50	133	500	16	F16	4600	163
350	25	25	103 350/25	290	555	490	33	50	192	706	16	F16	9600	254
400	25	25	103 400/25	340	620	550	36	70	242	810	16	F25	13300	365
500	25	25	103 500/25	390	730	660	36	90	259	978	20	F30	18700	574
600	25	25	103 600/25	489	845	770	39	90	274	1130	20	F30	32000	1194