

# Steel ball valves, reduced bore

flange/flange, DN 15-250 PN 25

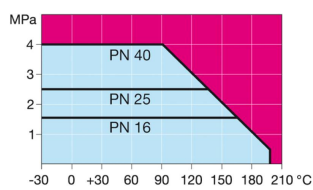
## Properties

Body:	Steel, EN 10217-2 P235GH (1.0345)
Ball:	Stainless steel, EN X5CrNi18-10 (1.4301)
Stem:	Stainless steel, EN X8CrNiS18-9 (1.4305)
Stem seals:	FPM
Ball seals:	Carbonized PTFE
Flanges	EN 1092-1 Available PN 10, 16, 25, 40
Length	DIN 3202
Operation:	DN 10 - 250 with galvanized steel handle We recommend manual gear operation for sizes DN200 and larger



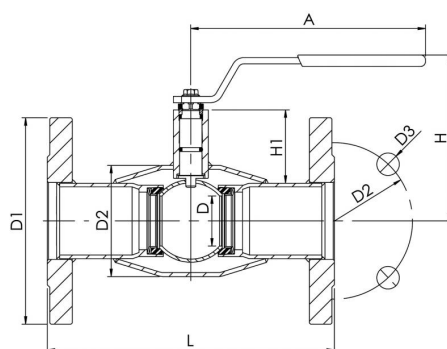
## Operating conditions

-30°C - +200°C  
Below 0 °C contact manufacturer

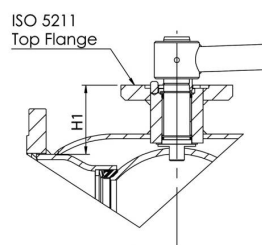


Not for steam

DN 15 - 150



DN 200- 250



DN	PN body	PN flanges	Product no.	D	D1	D2	D3	H	H1	A	L	Holes	Kv	Kg
15	40	40	103 015	10	95	65	14	100	23	140	130	4	8	1,8
20	40	40	103 020	15	105	75	14	105	24	140	150	4	14	2,6
25	40	40	103 025	20	115	85	14	105	40	150	160	4	25	3,2
32	40	40	103 032	25	140	100	18	105	39	150	180	4	41	5
40	40	40	103 040	32	150	110	18	125	59	190	200	4	65	6
50	40	40	103 050	40	165	125	18	135	59	190	230	4	103	8,1
65	25	25	103 065/25	50	185	145	18	180	71	280	270	8	180	11
80	25	25	103 080/25	65	200	160	18	190	77	280	280	8	290	14
100	25	25	103 100/25	80	235	190	22	230	97	280	300	8	470	20
125	25	25	103 125/25	100	270	220	26	245	96	420	325	8	830	30
150	25	25	103 150/25	125	300	250	26	280	103	600	350	8	1150	39
200	25	25	103 200/25	150	360	310	26	280	92	870	400	12	1750	67
250	25	25	103 250/25	200	425	370	30	350	108	1200	500	12	3250	114