

Steel ball valves, reduced bore

flange/flange, DN 15-250

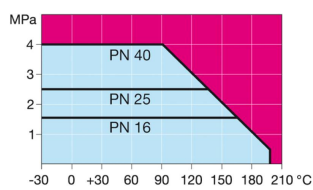
Properties

Body:	Steel, EN 10217-2 P235GH (1.0345)
Ball:	Stainless steel, EN X5CrNi18-10 (1.4301)
Stem:	Stainless steel, EN X8CrNiS18-9 (1.4305)
Stem seals:	FPM
Ball seals:	Carbonized PTFE
Flanges	EN 1092-1 Available PN 10, 16, 25, 40
Length	DIN 3202
Operation:	DN 10 - 250 with galvanized steel handle We recommend manual gear operation for sizes DN200 and larger



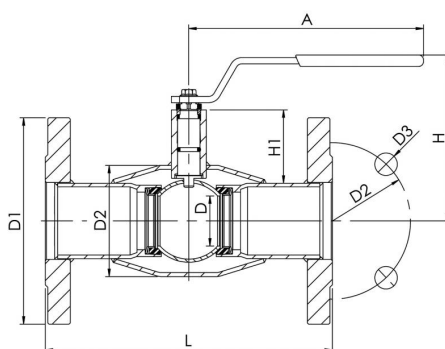
Operating conditions

-30°C - +200°C
Below 0 °C contact manufacturer

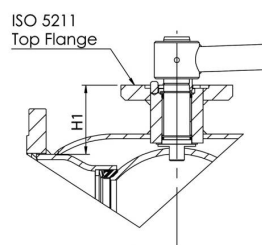


Not for steam

DN 15 - 150



DN 200- 250



DN	PN body	PN flanges	Product no.	D	D1	D2	D3	H	H1	A	L	Holes	Kv	Kg
15	40	40	103 015	10	95	65	14	100	23	140	130	4	8	1,8
20	40	40	103 020	15	105	75	14	105	24	140	150	4	14	2,6
25	40	40	103 025	20	115	85	14	105	40	150	160	4	25	3,2
32	40	40	103 032	25	140	100	18	105	39	150	180	4	41	5
40	40	40	103 040	32	150	110	18	125	59	190	200	4	65	6
50	40	40	103 050	40	165	125	18	135	59	190	230	4	103	8,1
65	25	16	103 065	50	185	145	18	180	71	280	270	8	180	10,5
80	25	16	103 080	65	200	160	18	190	77	280	280	8	290	12,5
100	25	16	103 100	80	220	180	18	230	97	280	300	8	470	17
125	25	16	103 125	100	250	210	18	245	96	420	325	8	830	24
150	25	16	103 150	125	285	240	22	280	103	600	350	8	1150	32
200	25	16	103 200	150	340	295	22	280	92	870	400	12	1750	58
250	25	16	103 250	200	405	355	26	350	108	1200	500	12	3250	102