

Butterfly valves, full bore

flange/flange, DN 300-800 $\Delta p = 16$ bar control

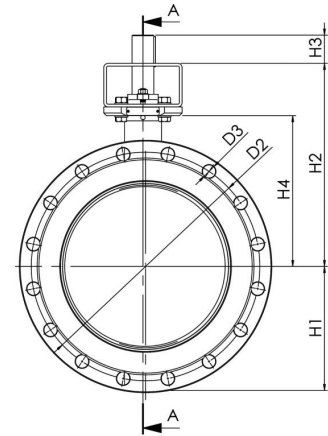
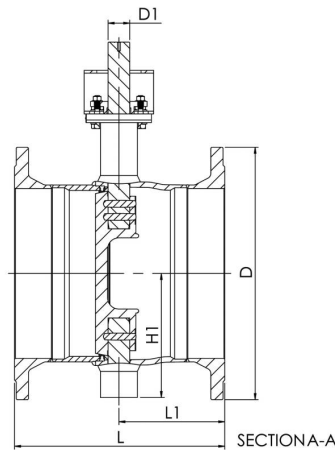
Properties

Body:	DN 300 - 500 Steel, EN 10217-2 P235GH (1.0345) DN 600 - 800 Steel, EN 10028-3 P355NL1 (1.0566)
Disc:	EN GX5CrNiMo19-11-2 (1.4408)
Seat:	Alloy 825
Shaft:	EN X3CrNiMoN27-5-2 (1.4460)
Shaft seal:	Graphite
Bearings:	PTFE+AISI 316 net
Flanges	EN 1092-1 Available PN 16 and 25
Operation:	Valves are available with manual gear, electric actuator or hydraulic actuator.



Operating conditions

Body:	PN 25
Trim:	PN 16
Temperature:	-20 °C - +250 °C
Leakage rate:	A



Product no.	DN	L	L1	H1	H2	H3	H4	D	D1	D2	D3	Holes	Kv	Kg
BFC300F1	300	430	190	247	435	65	315	460	35	410	26	12	6200	104
BFC350F1	350	458	218	255	445	65	325	520	35	470	26	16	7400	134
BFC400F1	400	484	244	285	467	65	347	580	40	525	30	16	9800	175
BFC500F1	500	522	239	360	528	80	408	715	50	650	33	20	15600	287
BFC600F1	600	570	274	440	575	110	450	840	60	770	36	20	22700	460
BFC700F1	700	642	309	495	625	110	501	910	70	840	36	24	31300	600
BFC800F1	800	690	345	581	733	130	573	1025	90	950	39	24	40700	890

Dimensions for PN16 flanges