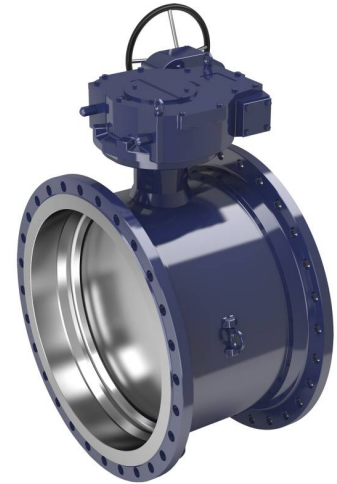


Butterfly valves, reduced bore

flange/flange, DN 900-1000 $\Delta p = 25$ bar shut-off, with manual gear

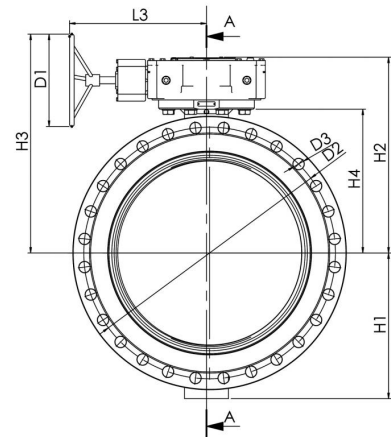
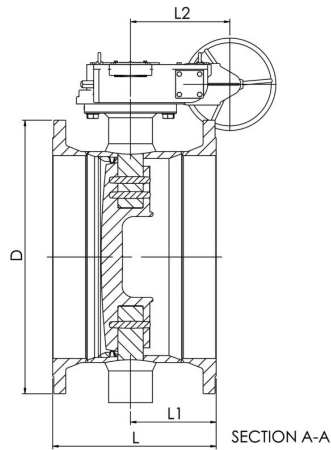
Properties

Body:	Steel, EN 10028-3 P355NL1 (1.0566)
Disc:	EN GX5CrNiMo19-11-2 (1.4408)
Seat:	Alloy 825
Shaft:	EN X8CrNiS18-9 (1.4305)
Shaft seal:	FPM
Bearings:	PTFE+AISI 316 net
Trim:	PN 16 or PN 25
Flanges	EN 1092-1 Available PN 16 and 25
Operation:	Valve is equipped with Rotork manual gear. For type and features of manual gear please refer to: www.vexve.com/actuators . Valve is also available with electric actuator or with hydraulic actuator.



Operating conditions

Body:	PN 25
Trim:	PN 25
Temperature:	-20 °C - +200 °C Below 0 °C contact manufacturer
Leakage rate:	B (by request rate A)



Product no.	DN	L	L1	L2	L3	H1	H2	H3	H4	D	D1	D2	D3	Holes	Kv	Kg
BRS900F2	900	710	372	431	591	631	841	948	623	1185	400	1090	48	28	46100	1530
BRS1000F2	1000	764	386	431	591	678	907	1014	689	1320	400	1210	56	28	56900	1950

Dimensions for PN25 flanges