

# Butterfly valves, reduced bore

flange/flange, DN 900-1000  $\Delta p = 16$  bar shut-off, with manual gear

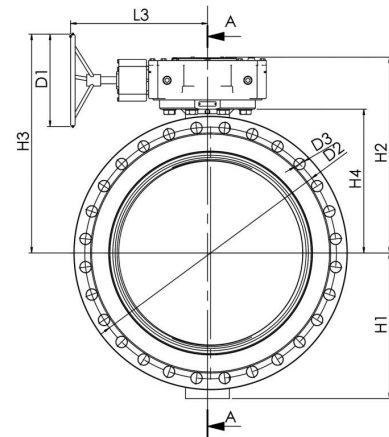
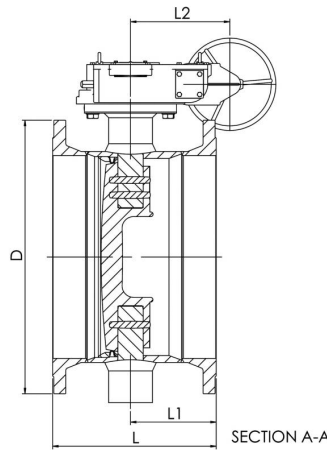
## Properties

Body:	Steel, EN 10028-3 P355NL1 (1.0566)
Disc:	EN GX5CrNiMo19-11-2 (1.4408)
Seat:	Alloy 825
Shaft:	EN X8CrNiS18-9 (1.4305)
Shaft seal:	FPM
Bearings:	PTFE+AISI 316 net
Trim:	PN 16 or PN 25
Flanges	EN 1092-1 Available PN 16 and 25
Operation:	Valve is equipped with Rotork manual gear. For type and features of manual gear please refer to: <a href="http://www.vexve.com/actuators">www.vexve.com/actuators</a> . Valve is also available with electric actuator or with hydraulic actuator.



## Operating conditions

Body:	PN 25
Trim:	PN 16
Temperature:	-20 °C - +200 °C Below 0 °C contact manufacturer
Leakage rate:	A



Product no.	DN	L	L1	L2	L3	H1	H2	H3	H4	D	D1	D2	D3	Holes	Kv	Kg
BRS900F1	900	650	342	431	591	631	841	948	623	1125	400	1050	39	28	46100	1340
BRS1000F1	1000	718	363	431	591	678	907	1014	689	1255	400	1170	42	28	56900	1740

Dimensions for PN16 flanges