

Butterfly valves, full bore

flange/flange, DN 300-800 $\Delta p = 25$ bar shut-off, with manual gear

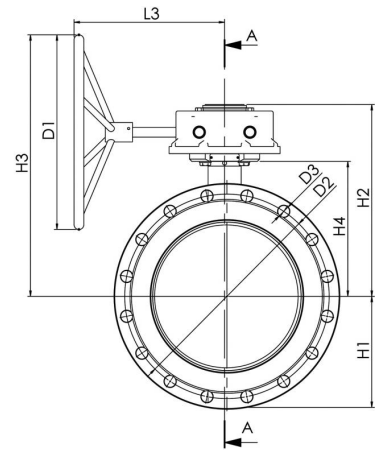
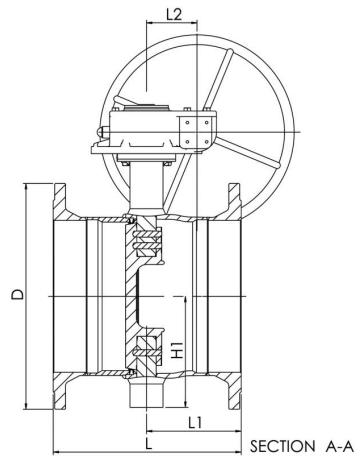
Properties

Body:	DN 300 - 500 Steel, EN 10217-2 P235GH (1.0345) DN 600 - 800 Steel, EN 10028-3 P355NL1 (1.0566)
Disc:	EN GX5CrNiMo19-11-2 (1.4408)
Seat:	Alloy 825
Shaft:	EN X8CrNiS18-9 (1.4305)
Shaft seal:	FPM
Bearings:	PTFE+AISI 316 net
Flanges	EN 1092-1 Available PN 16 and 25
Operation:	Valve is equipped with Rotork manual gear (DN1200-1400 with Auma manual gear). For type and features of manual gear please refer to: www.vexve.com/actuators . Valve is also available with electric actuator or with hydraulic actuator.



Operating conditions

Body:	PN 25
Trim:	PN 25
Temperature:	-20 °C - +200 °C Below 0 °C contact manufacturer
Leakage rate:	B (by request rate A)



Product no.	DN	L	L1	L2	L3	H1	H2	H3	H4	D	D1	D2	D3	Holes	Kv	Kg
BFS300F2	300	458	204	105	336	247	437	583	315	485	400	430	30	16	6200	142
BFS350F2	350	494	236	105	336	255	444	593	325	555	400	490	33	16	7400	185
BFS400F2	400	534	269	130	387	285	492	672	347	620	500	550	36	16	9800	249
BFS500F2	500	604	280	211	440	360	553	683	408	730	400	660	36	20	15600	395
BFS600F2	600	644	311	211	450	440	600	780	450	845	500	770	39	20	22700	560
BFS700F2	700	692	334	357	567	495	653	783	501	960	400	875	42	24	31300	810
BFS800F2	800	750	375	357	567	581	741	871	573	1085	400	990	48	24	40700	1140

Dimensions for PN25 flanges