

Butterfly valves, full bore

flange/flange, DN 300-800 $\Delta p = 16$ bar shut-off, with manual gear

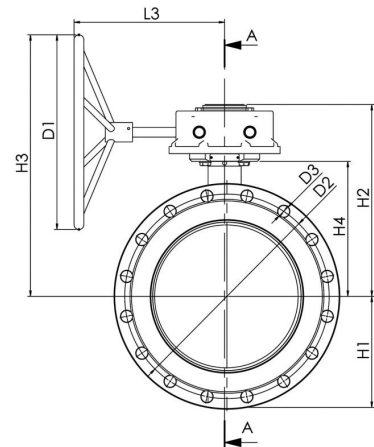
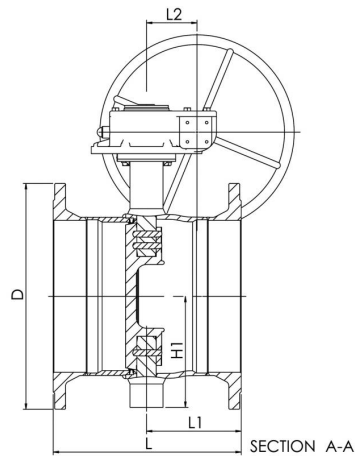
Properties

Body:	DN 300 - 500 Steel, EN 10217-2 P235GH (1.0345) DN 600 - 800 Steel, EN 10028-3 P355NL1 (1.0566)
Disc:	EN GX5CrNiMo19-11-2 (1.4408)
Seat:	Alloy 825
Shaft:	EN X8CrNiS18-9 (1.4305)
Shaft seal:	FPM
Bearings:	PTFE+AISI 316 net
Flanges	EN 1092-1 Available PN 16 and 25
Operation:	Valve is equipped with Rotork manual gear (DN1200-1400 with Auma manual gear). For type and features of manual gear please refer to: www.vexve.com/actuators . Valve is also available with electric actuator or with hydraulic actuator.



Operating conditions

Body:	PN 25
Trim:	PN 16
Temperature:	-20 °C - +200 °C Below 0 °C contact manufacturer
Leakage rate:	A



Product no.	DN	L	L1	L2	L3	H1	H2	H3	H4	D	D1	D2	D3	Holes	Kv	Kg
BFS300F1	300	430	190	105	336	247	437	583	315	460	400	410	26	12	6200	123
BFS350F1	350	458	218	105	336	255	444	593	325	520	400	470	26	16	7400	154
BFS400F1	400	484	244	130	387	285	492	672	347	580	500	525	30	16	9800	205
BFS500F1	500	522	239	211	440	360	553	683	408	715	400	650	33	20	15600	327
BFS600F1	600	570	274	211	450	440	600	780	450	840	500	770	36	20	22700	500
BFS700F1	700	642	309	357	567	495	653	783	501	910	400	840	36	24	31300	690
BFS800F1	800	690	345	357	567	581	741	871	573	1025	400	950	39	24	40700	980

Dimensions for PN16 flanges