

Butterfly valves, reduced bore

welding/welding, EN (DIN), DN 900-1400 $\Delta p = 25$ bar shut-off, with manual gear

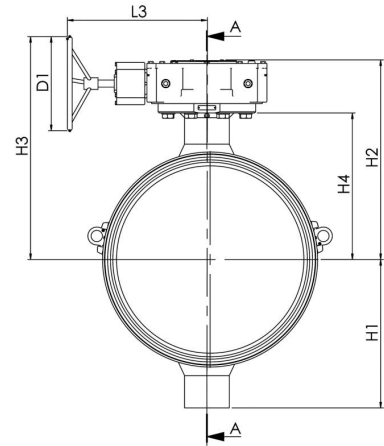
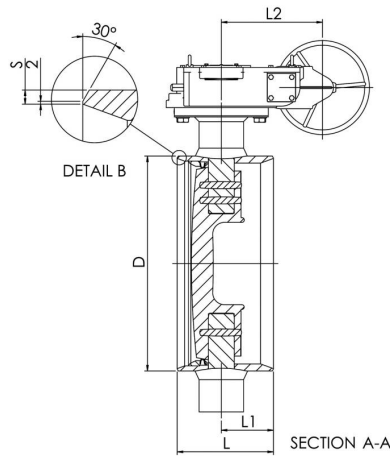
Properties

Body:	Steel, EN 10028-3 P355NL1 (1.0566)
Disc:	EN GX5CrNiMo19-11-2 (1.4408)
Seat:	Alloy 825
Shaft:	EN X8CrNiS18-9 (1.4305)
Shaft seal:	FPM
Bearings:	PTFE+AISI 316 net
Welding ends	ISO 6761
Operation:	Valve is equipped with Rotork manual gear (DN1200-1400 with Auma manual gear). For type and features of manual gear please refer to: www.vexve.com/actuators . Valve is also available with electric actuator or with hydraulic actuator.



Operating conditions

Body:	PN 25
Trim:	$\Delta p = 25$ bar, DN1200–DN1400 available $\Delta p = 20$ or 25 bar
Temperature:	-40 °C - +200 °C DN 1200 - 1400 -20 °C - +200 °C Below 0 °C contact manufacturer
Leakage rate:	B (by request rate A)



Product no.	DN	L	L1	L2	L3	H1	H2	H3	H4	D	D1	S	Kv	Kg
BRS900W2	900	410	221	431	591	631	841	948	623	914	400	10	46100	1040
BRS1000W2	1000	440	224	431	591	678	907	1014	689	1016	400	10	56900	1280
BRS1200W2	1200	500	228	250	600	730	1154	1225	848	1219	400	13	65000	1870
BRS1400W2	1400	600	228	250	600	871	1262	1333	963	1422	400	15	101000	2530