

Butterfly valves, full bore

welding/welding, EN (DIN), DN 300-800 $\Delta p = 25$ bar shut-off, with manual gear

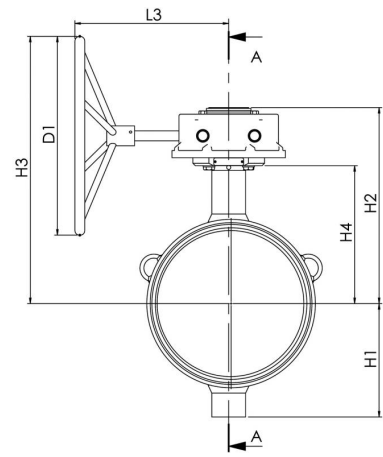
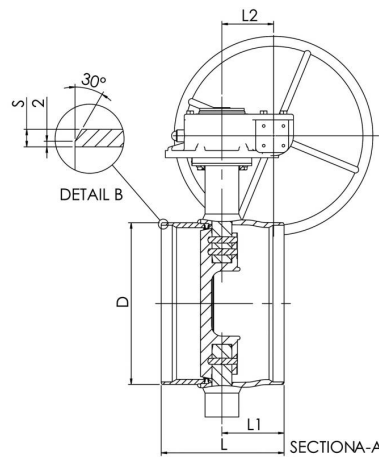
Properties

Body:	DN 300 - 500 Steel, EN 10217-2 P235GH (1.0345) DN 600 - 800 Steel, EN 10028-3 P355NL1 (1.0566)
Disc:	EN GX5CrNiMo19-11-2 (1.4408)
Seat:	Alloy 825
Shaft:	EN X8CrNiS18-9 (1.4305)
Shaft seal:	FPM
Bearings:	PTFE+AISI 316 net
Welding ends:	ISO 6761
Operation:	Valve is equipped with Rotork manual gear (DN1200-1400 with Auma manual gear). For type and features of manual gear please refer to: www.vexve.com/actuators . Valve is also available with electric actuator or with hydraulic actuator.



Operating conditions

Body:	PN 25
Trim:	PN 25
Temperature:	-40 °C - +200 °C Below 0 °C contact manufacturer
Leakage rate:	B (by request rate A)



Product no.	DN	L	L1	L2	L3	H1	H2	H3	H4	D	D1	S	Kv	Kg
BFS300W2	300	270	110	105	336	247	437	583	315	323,9	400	5,6	6200	80
BFS350W2	350	290	134	105	336	255	444	593	325	355,6	400	5,6	7400	95
BFS400W2	400	310	157	130	387	285	492	672	347	406,4	500	6,3	9800	126
BFS450W2	450	330	153	211	440	330	524	654	379	457	400	6,3	12100	157
BFS500W2	500	350	153	211	440	360	553	683	408	508	400	6,3	15600	205
BFS600W2	600	390	184	211	450	440	600	780	450	610	500	7,1	22700	320
BFS700W2	700	430	203	357	567	495	653	783	501	711	400	8	31300	500
BFS800W2	800	470	226	357	567	581	741	871	573	813	400	8,8	40700	740